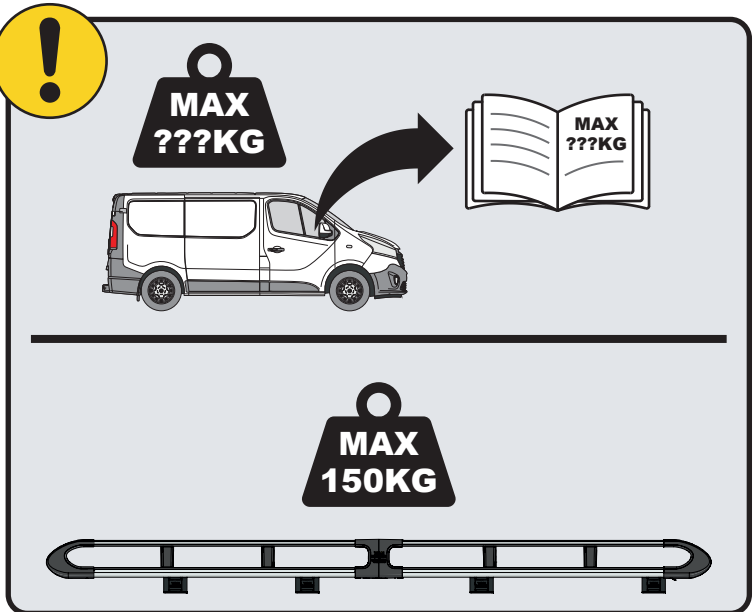
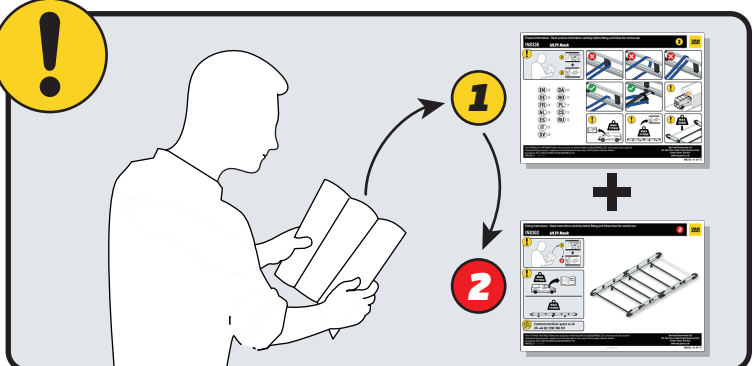


IN8341

ULTI Rack+



 Customercare@van-guard.co.uk
UK +44 (0) 1392 368 351

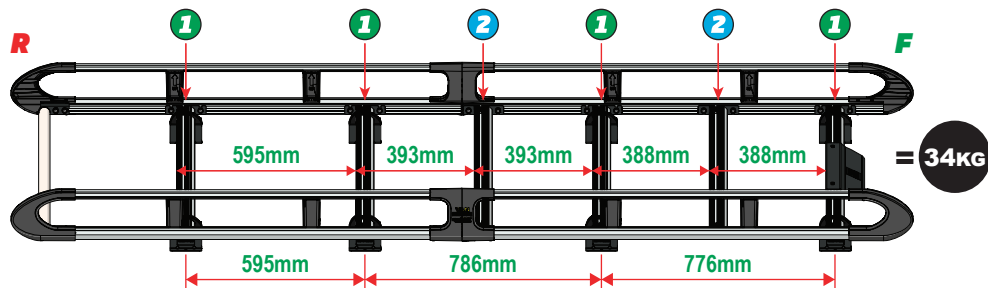
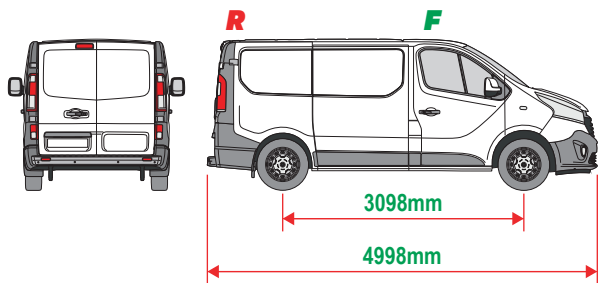


This FITTING INSTRUCTION is the property of VAN GUARD ACCESSORIES LTD. and must not be used for manufacturing purposes, copied nor communicated in any way to third parties without written permission from VAN GUARD ACCESSORIES LTD.
IN8341_B (CN:00356)

Van Guard Accessories Ltd
Fair Oak Close, Exeter Airport Business Park,
Exeter, Devon, EX5 2UL
www.van-guard.co.uk

VGUR-262

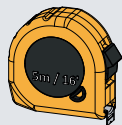
Fiat Talento: 2016-2020
Nissan NV300: 2016-2021
Nissan Primastar: 2022 on
Renault Trafic: 2014 on
Vauxhall Vivaro: 2014-2019
L1H1 (SWB)
Twin Rear Doors



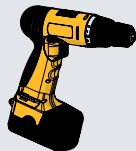
SUPPLIED COMPONENTS - CHECK ALL PARTS ARE PRESENT AND CORRECT BEFORE PROCEEDING (1 OF 2)

TOOLS REQUIRED

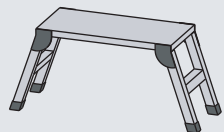
10MM X1



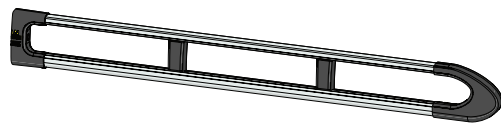
13MM X1



21MM X1



AS3539 X2
(2800 / A)



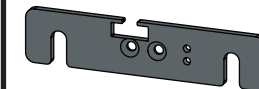
MA6118 X12



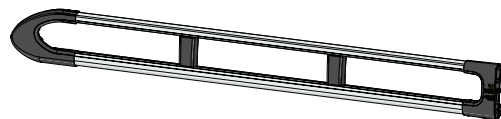
FX4241 X28



ME1622 X2



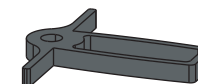
AS3538 X2
(2800 / B)



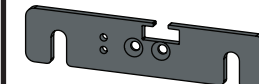
FX4008 X1



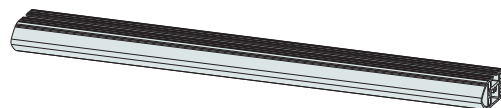
MA6145 X1



ME1623 X2



ME1628 X6
(1554mm)



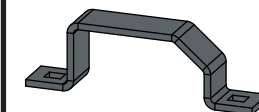
FX4001 X2
(M8X40)



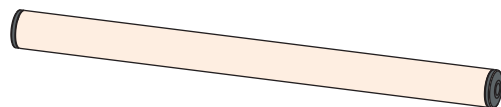
FX4235 X24
(M5X25)



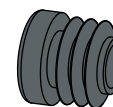
ME0203 X8



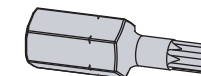
AS3160 X1
(1540mm)



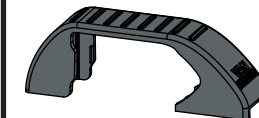
MA6007 X4



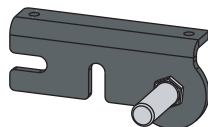
FX4248 X1
(T25)



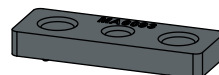
MA6065 X8



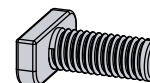
AS3590 X1



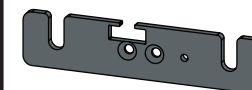
MA6093 X14



FX4239 X28
(M8X20)



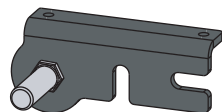
ME1620 X4



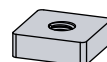
FX4016 X16
(M6)



AS3591 X1



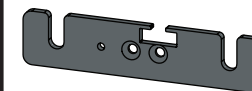
ME0316 X14



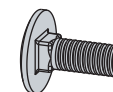
FX4240 X28
(M8)



ME1621 X4



FX4042 X16
(M6X16)



SUPPLIED COMPONENTS - CHECK ALL PARTS ARE PRESENT AND CORRECT BEFORE PROCEEDING (2 OF 2)

ME0355 X1

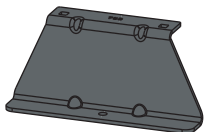


FX4017 X2

(M6)



ME0793 X2

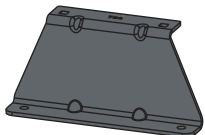


FX4021 X14

(M6X25)

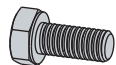


ME0794 X6



FX4061 X2

(M6X14)



FX4010 X16

(M6)

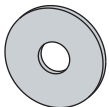


MA6024 X8



FX4013 X14

(M6)



FX4014 X14



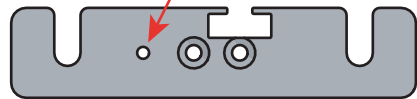
01

1L



X4

1R



X4



2L



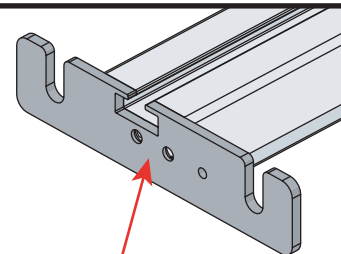
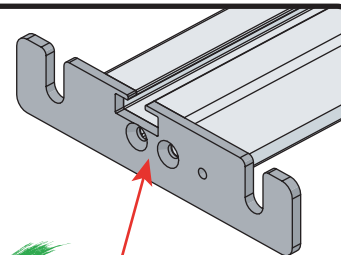
X2

2R

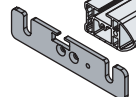


X2

02



1R

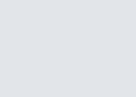


X4

1L

1R

2R



X2

2L

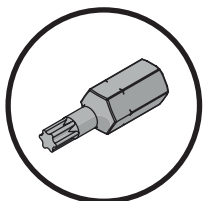
03

01

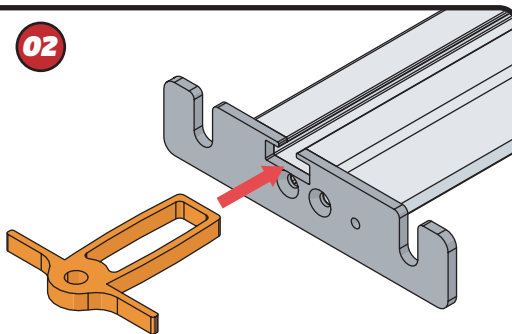
FX4248



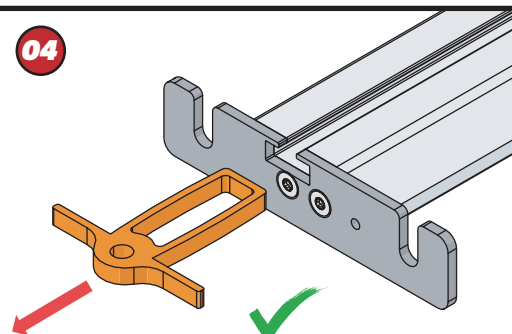
+



02



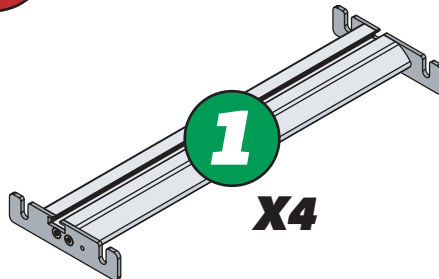
04



04

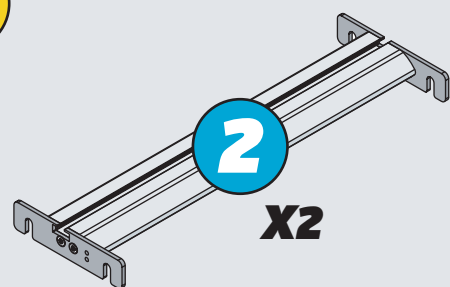


1



X4

2

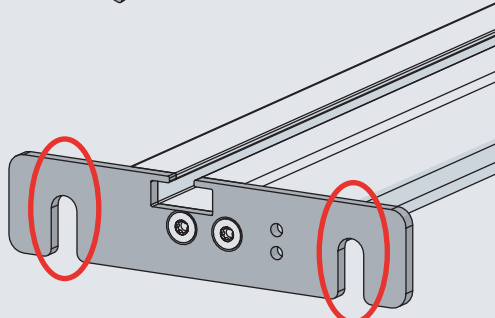
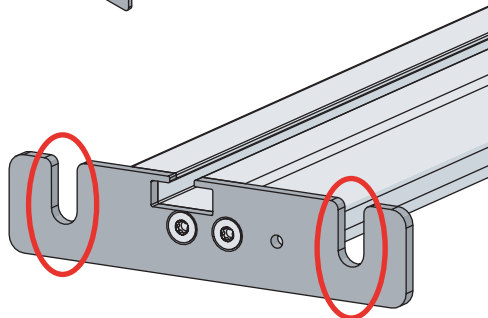
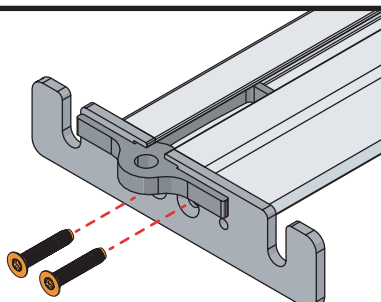


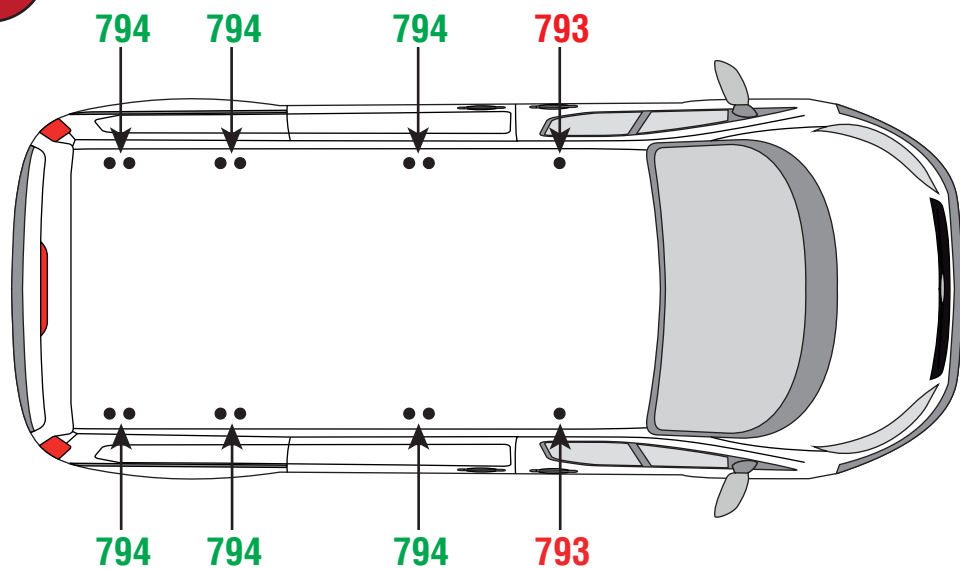
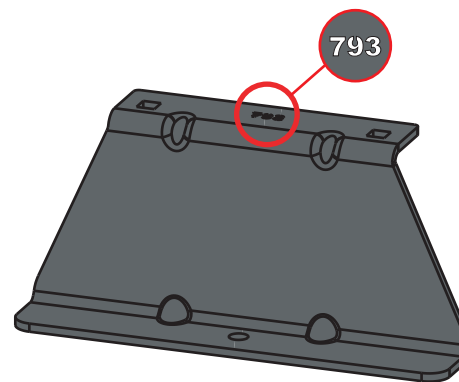
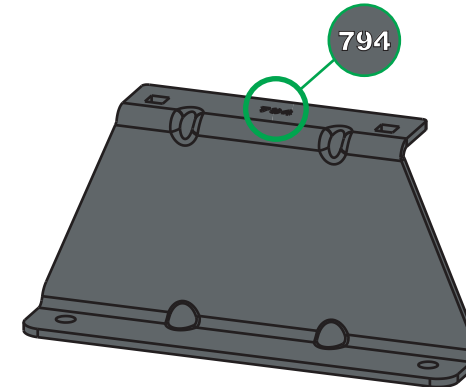
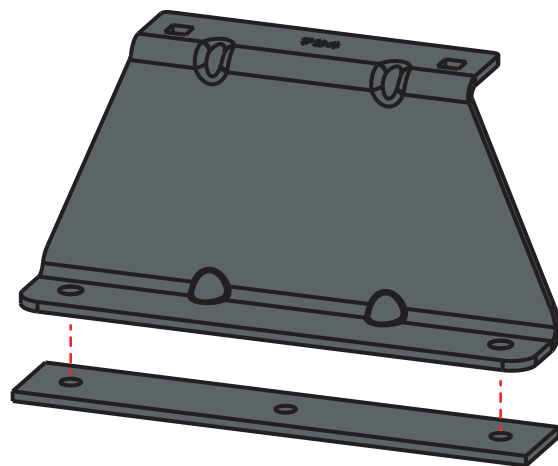
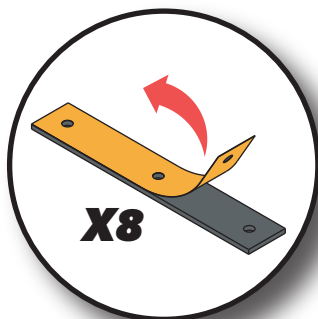
X2

03



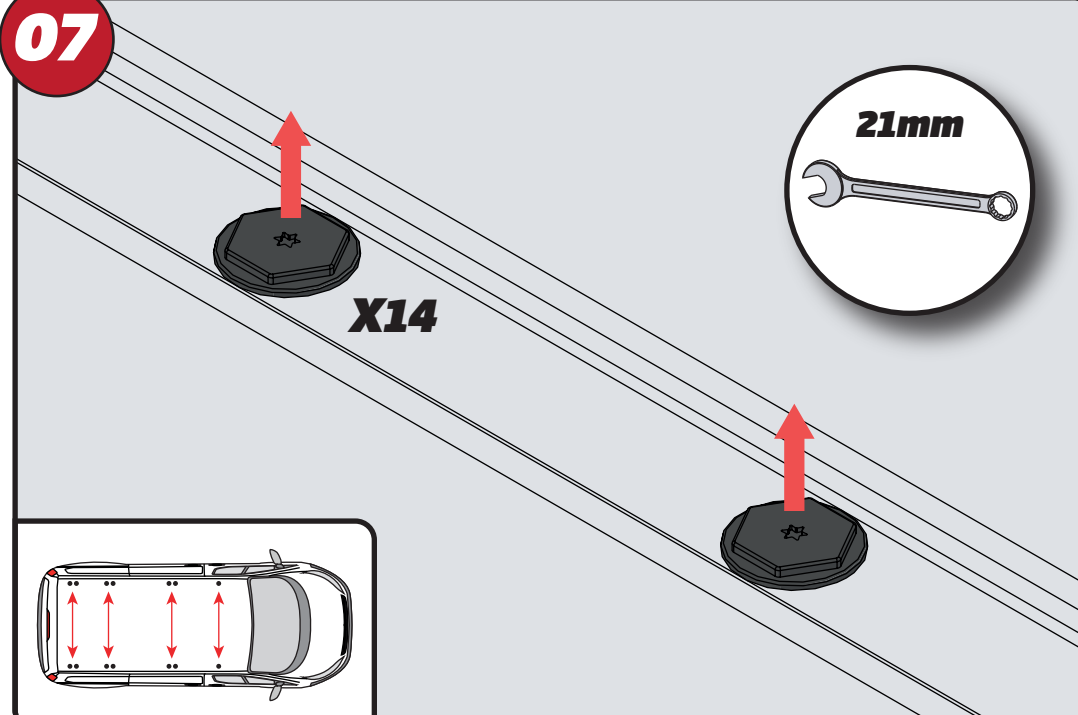
11Nm



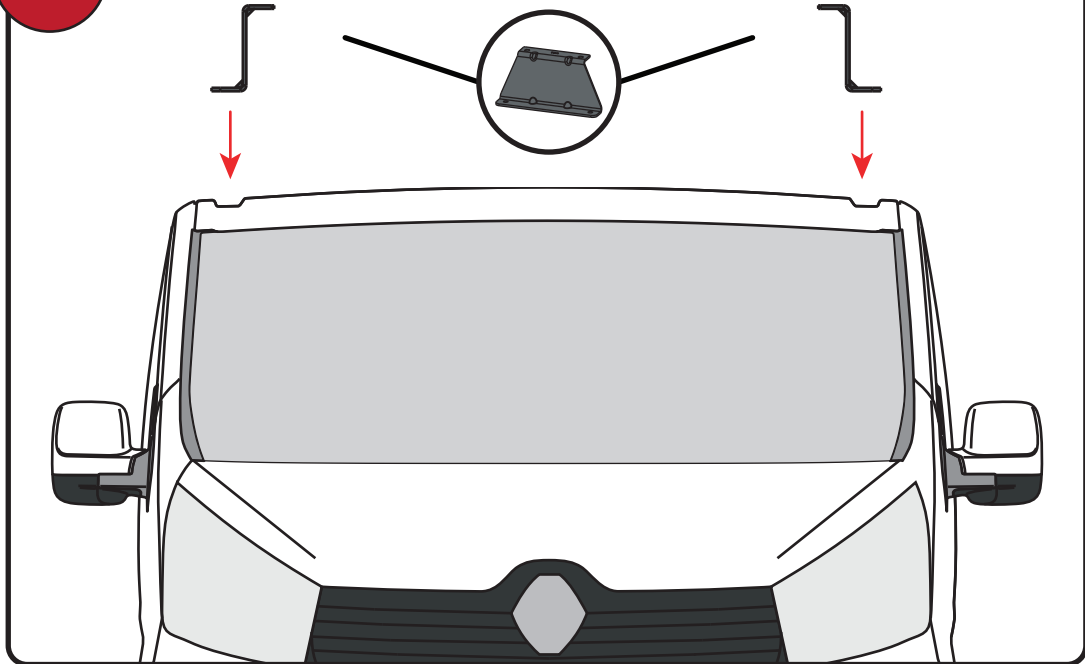
05**793****794****06**

EN - STICK GASKETS TO ALL BRACKETS
 DE - KLEBEN SIE DIE DICHTUNG AN ALLEN HALTERUNGEN
 FR - COUSSINETS ADHÉSIFS À TOUS LES SUPPORTS
 NL - PLAK PAKKING OP ALLE BEUGELS
 ES - PEGA LAS ALMOHADILLAS A TODOS LOS SOPORTES
 IT - ADESIVI GUARNIZIONI A TUTTE LE STAFFE

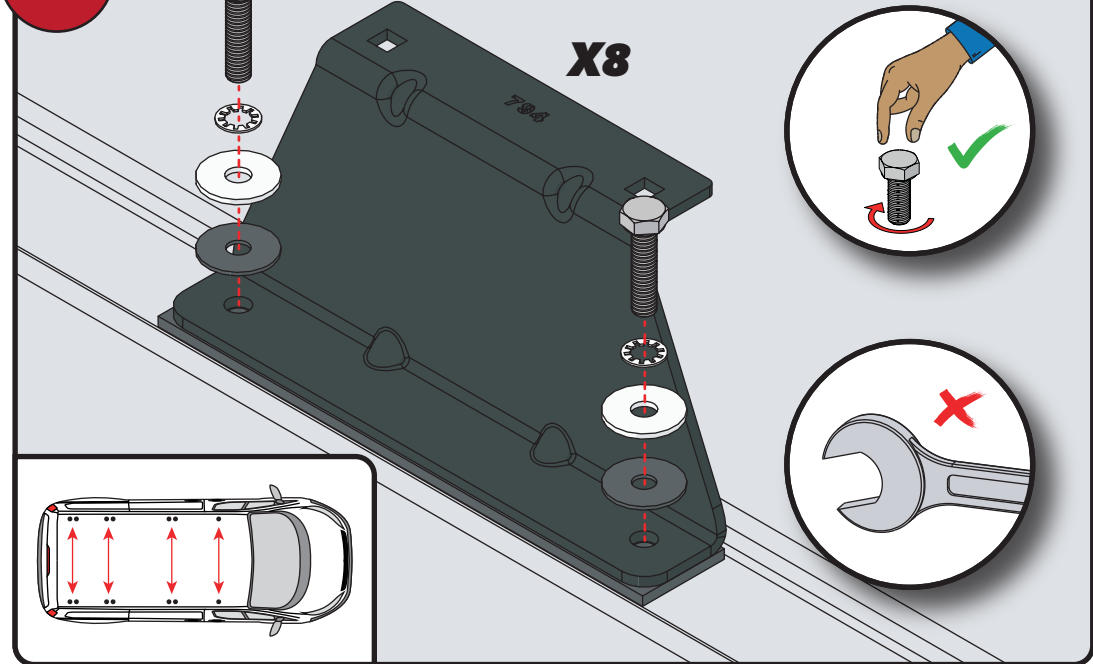
SV - FÄST GUMMI PÅ ALLA FÄSTEN
 DA - KLÆB GUMMI PÅ ALLE BESLAG
 NO - PLIST GUMMI PÅ ALLE BRACKETTER
 PL - NAKLEJ USZCZELKI DO WSZYSTKICH WSPORNIKÓW
 CS - PŘILEPTE TĚSNĚNÍ NA VŠECHNY DRŽÁKY

07**21mm****X14**

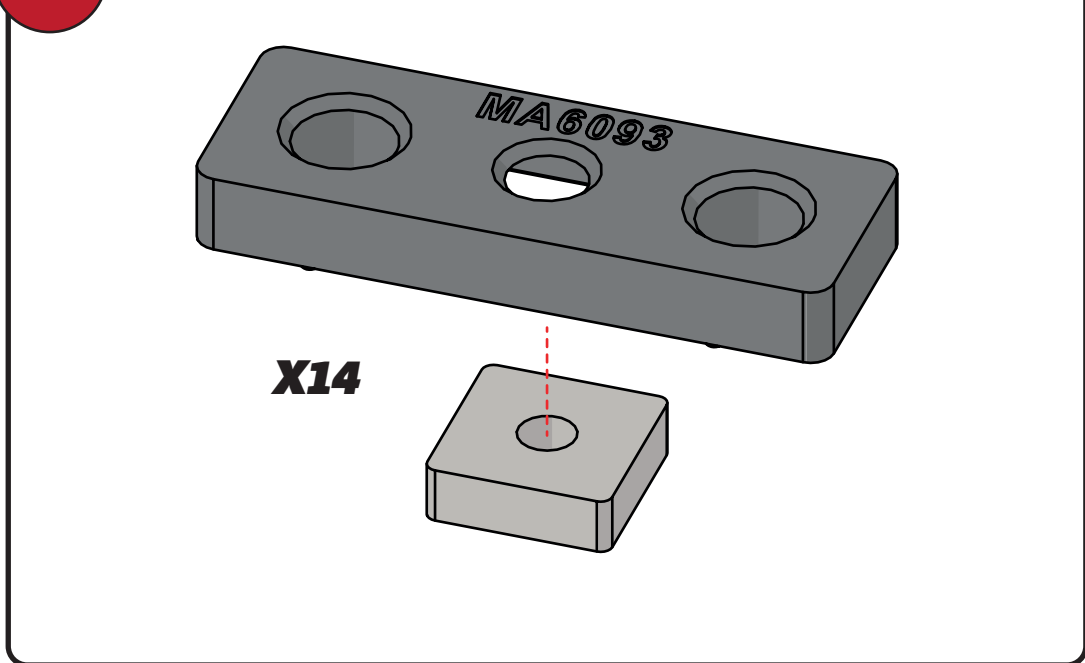
08



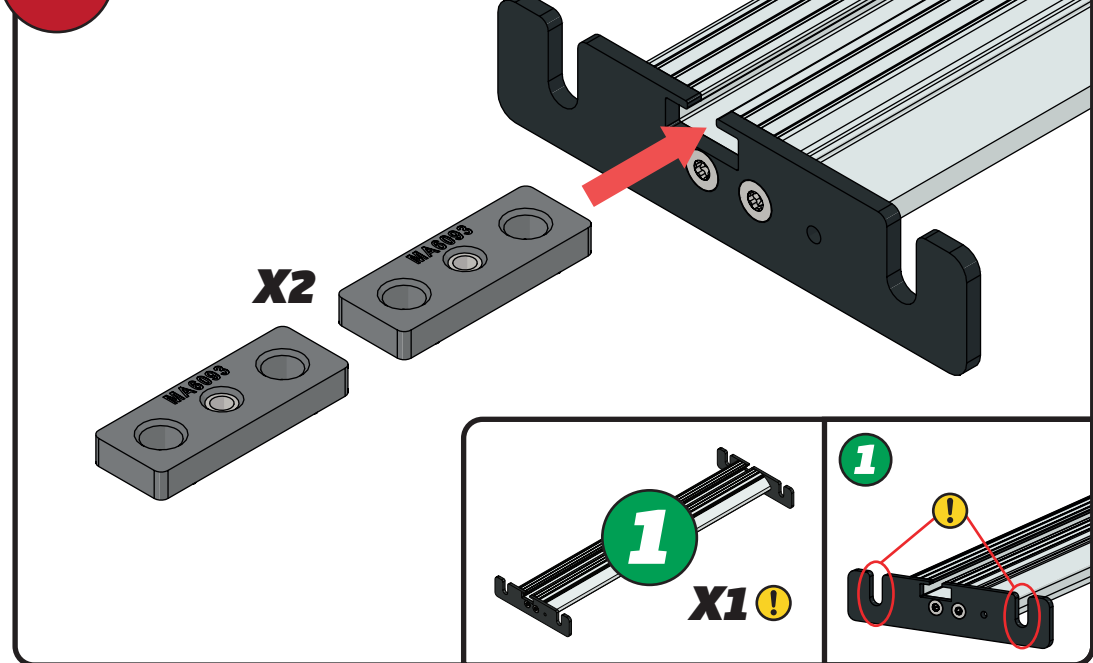
09

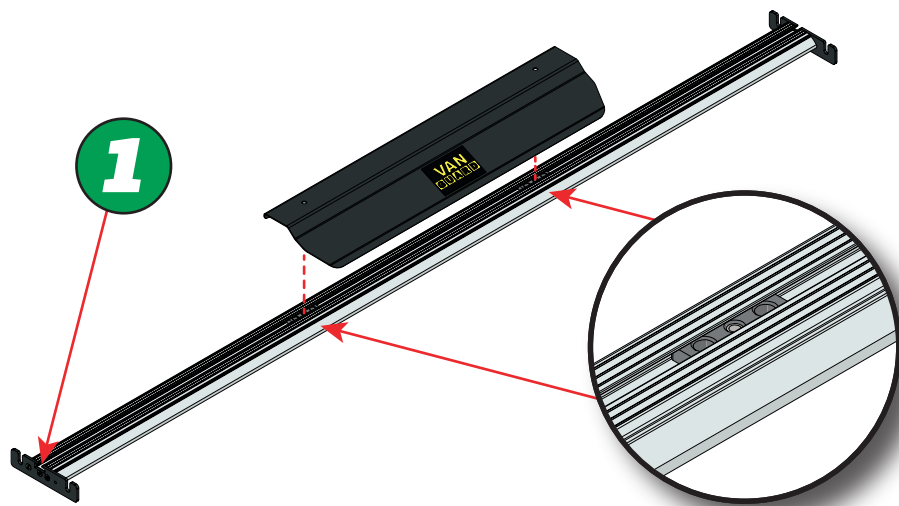
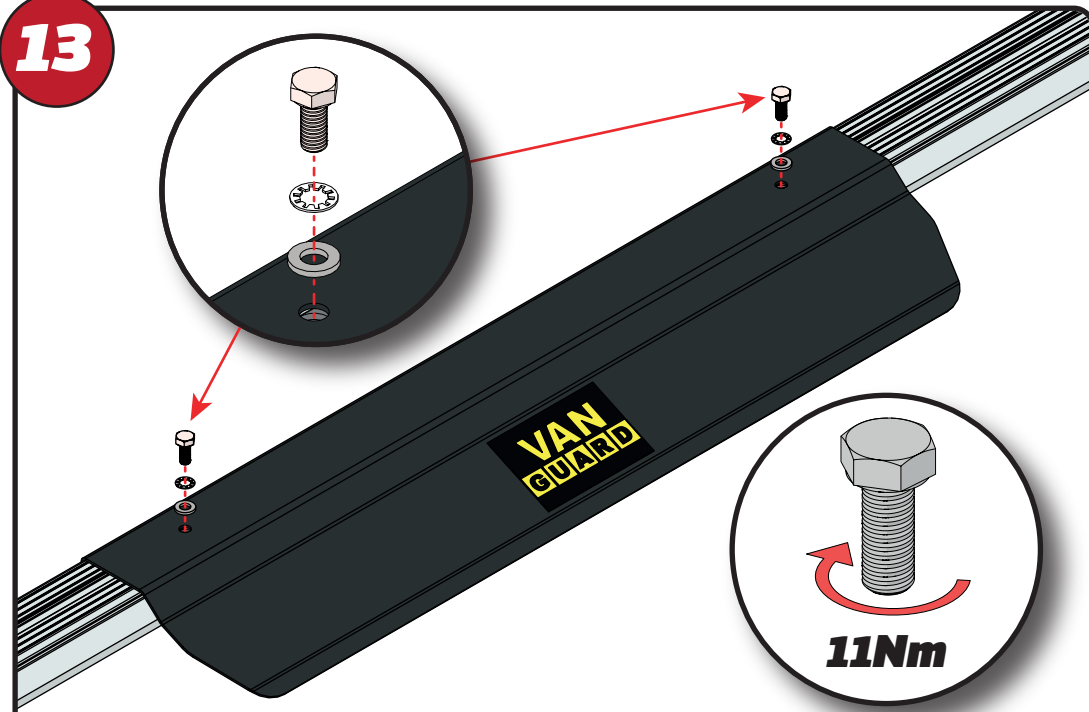
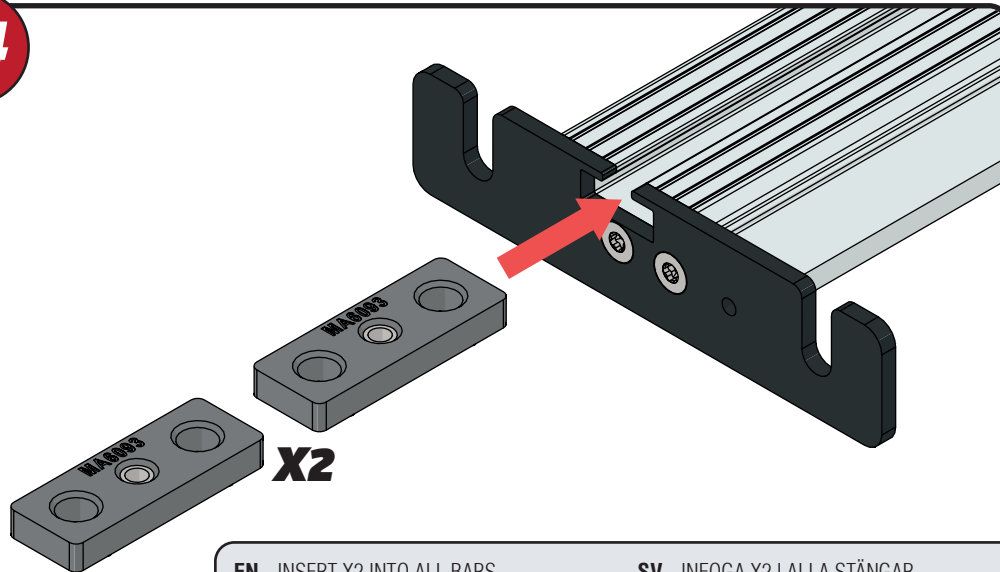


10

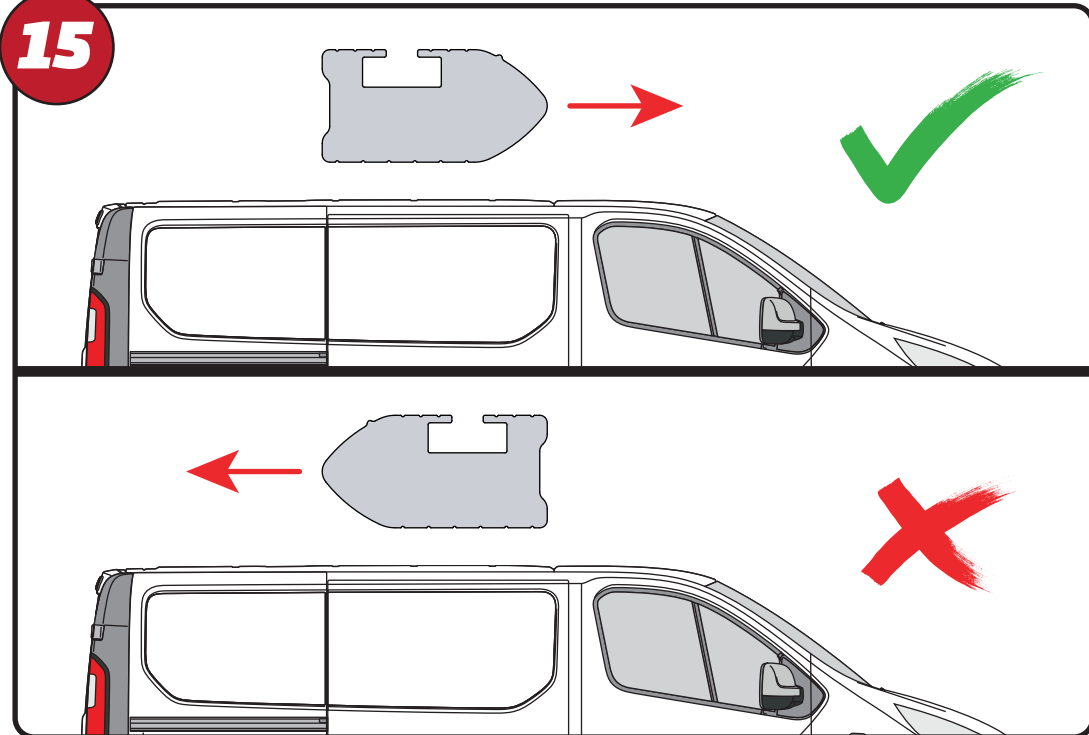


11

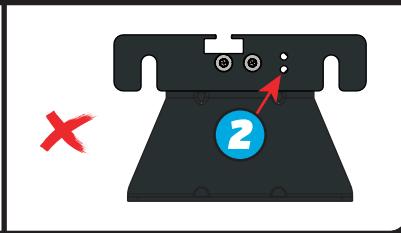
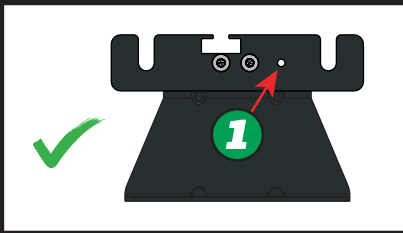
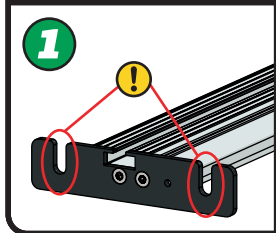
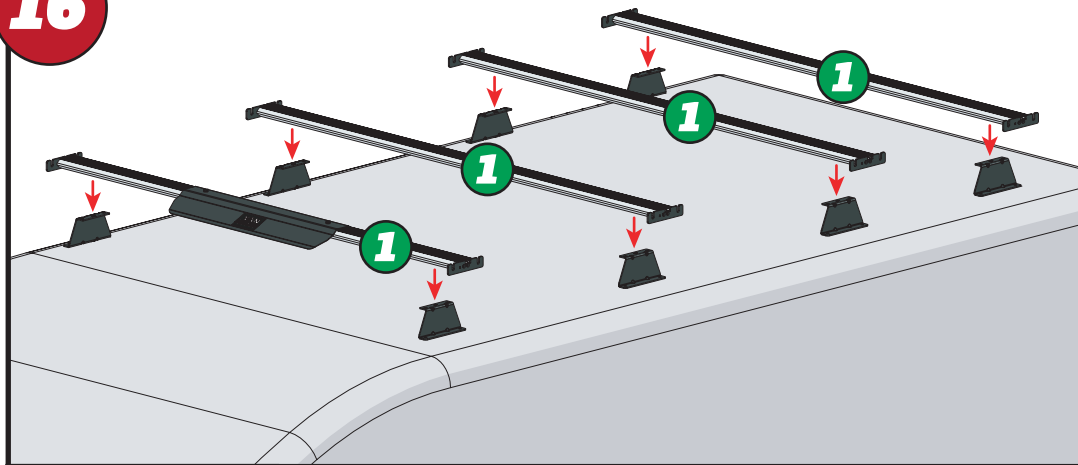


12**13****14**

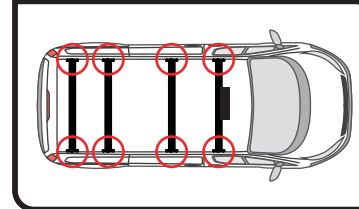
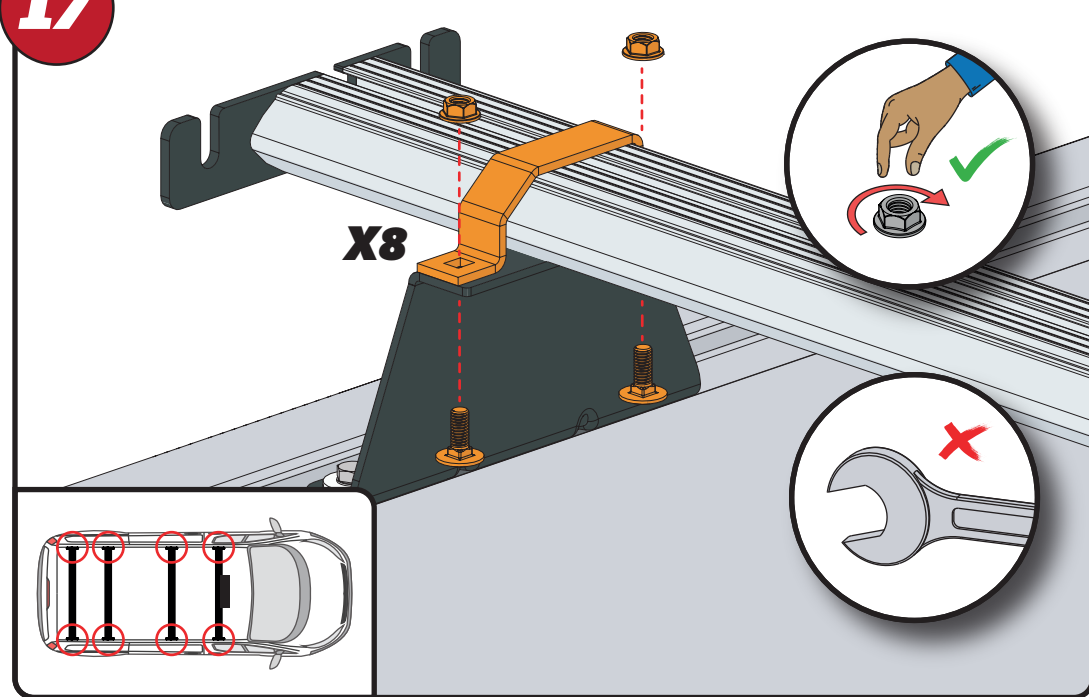
EN - INSERT X2 INTO ALL BARS	SV - INFOGA X2 I ALLA STÄNGAR
DE - X2 IN ALLE STANGEN EINFÜGEN	DA - INDSÆT X2 I ALLE STÆNGER
FR - INSÉRER X2 DANS TOUTES LES BARRES	NO - SETT X2 INN I ALLE TAKSTENGER
NL - PLAATS X2 IN ALLE BARS	PL - WSTAW X2 DO WSZYSTKICH PRĘTÓW
ES - INSERTAR X2 EN TODAS LAS BARRAS	CS - VLOŽTE X2 DO VŠECH TYČÍ
IT - INSERIRE X2 IN TUTTE LE BARRE	

15

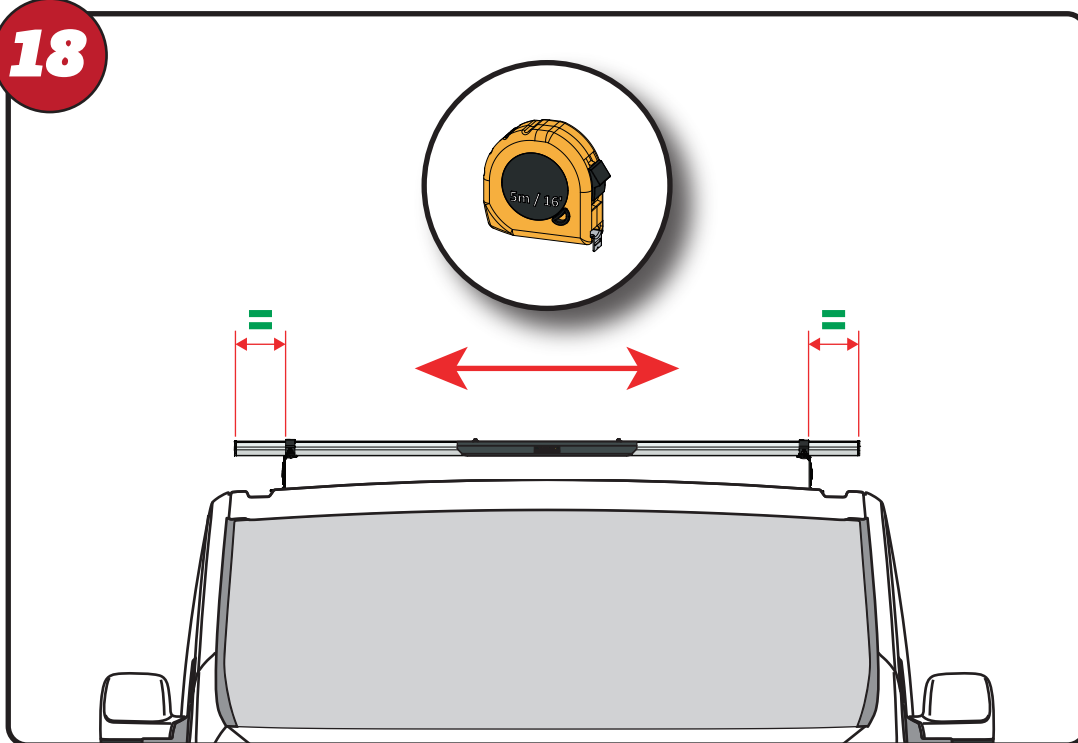
16



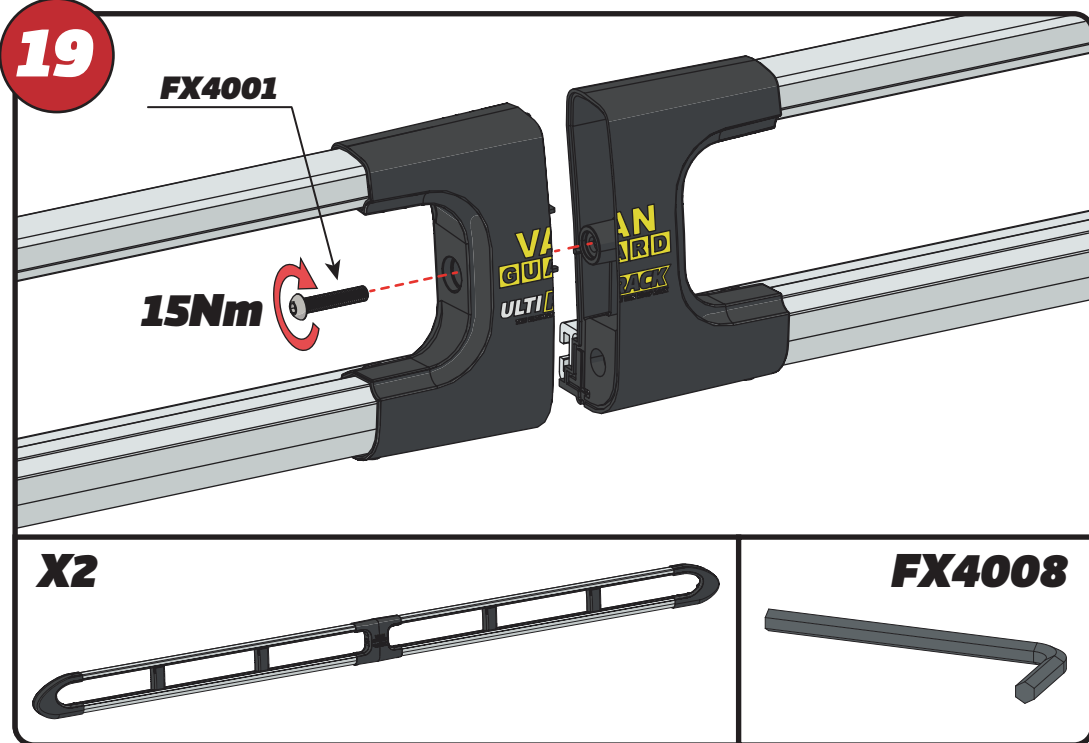
17



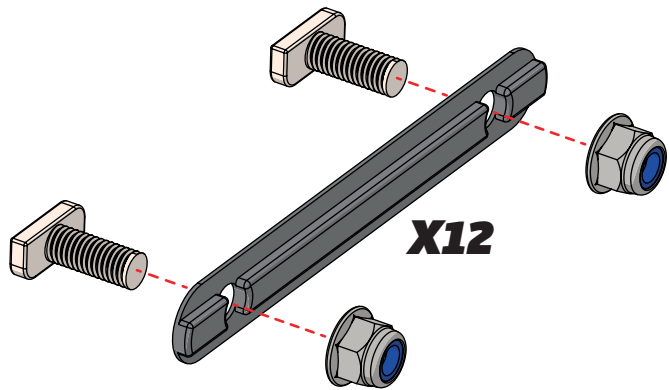
18



19

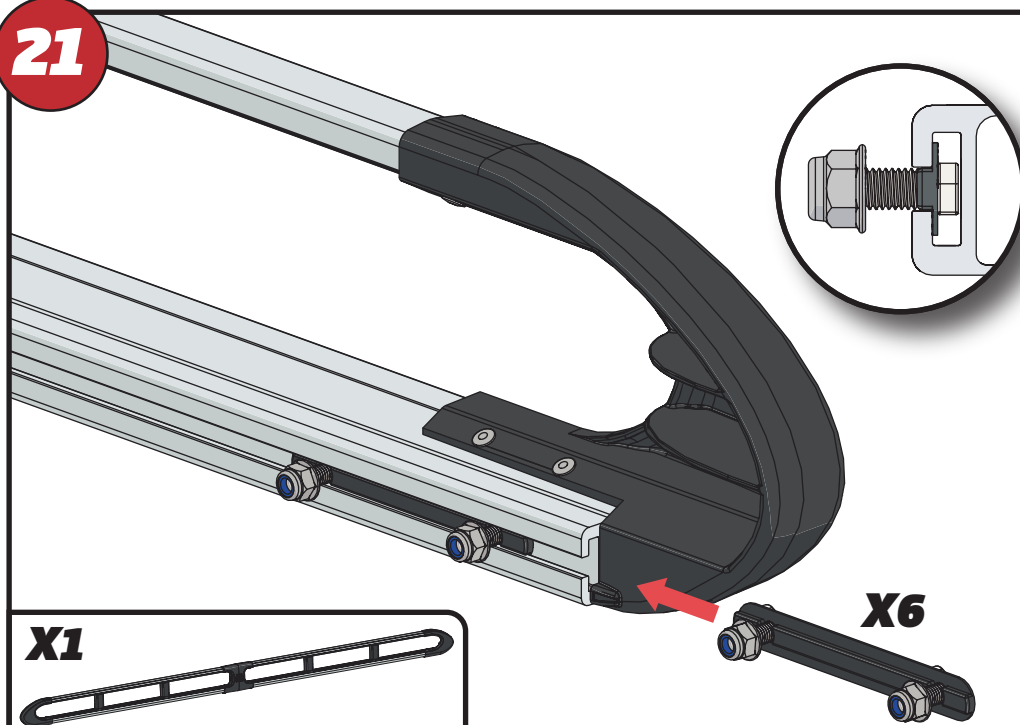


20



X12

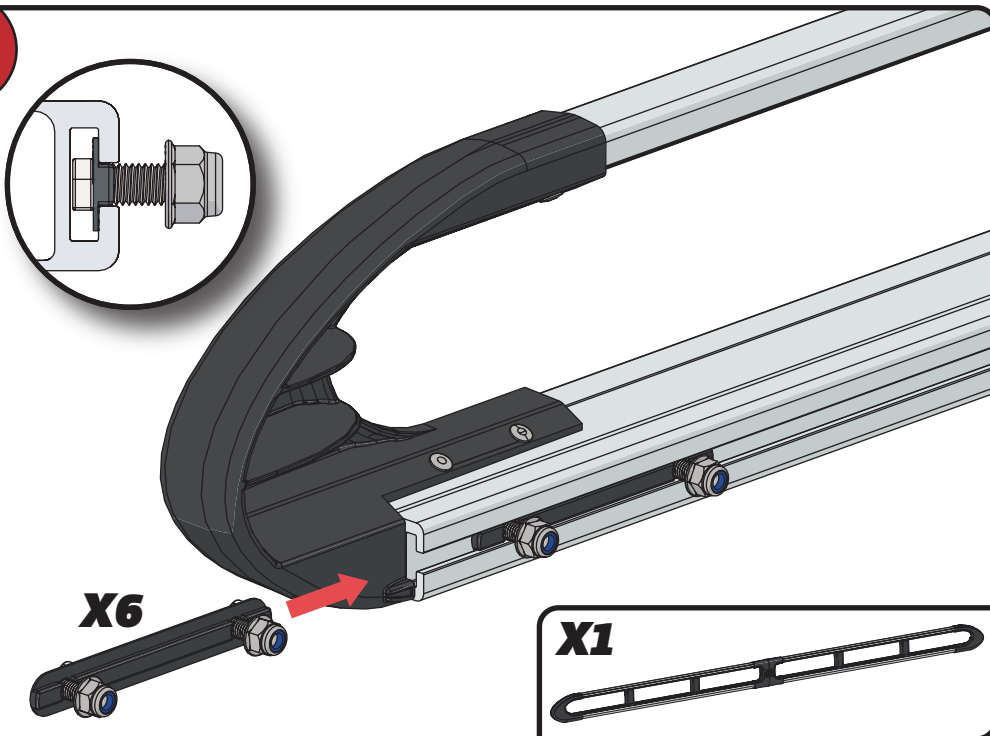
21



X1

X6

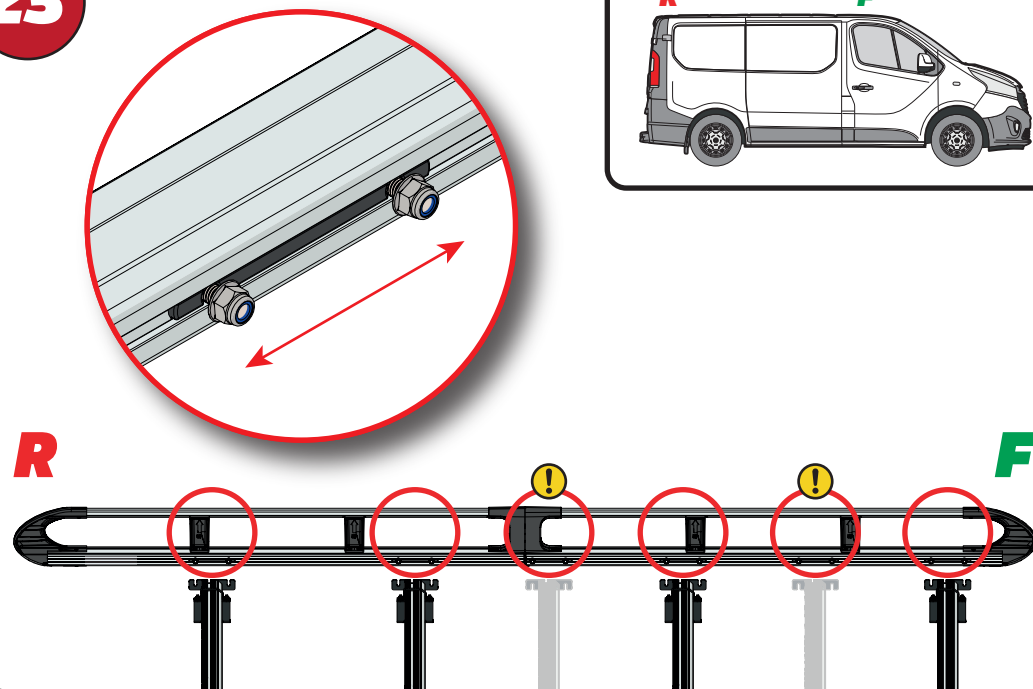
22



X6

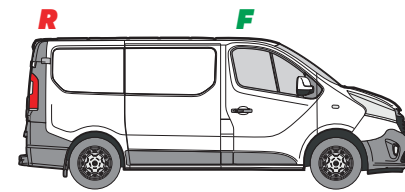
X1

23

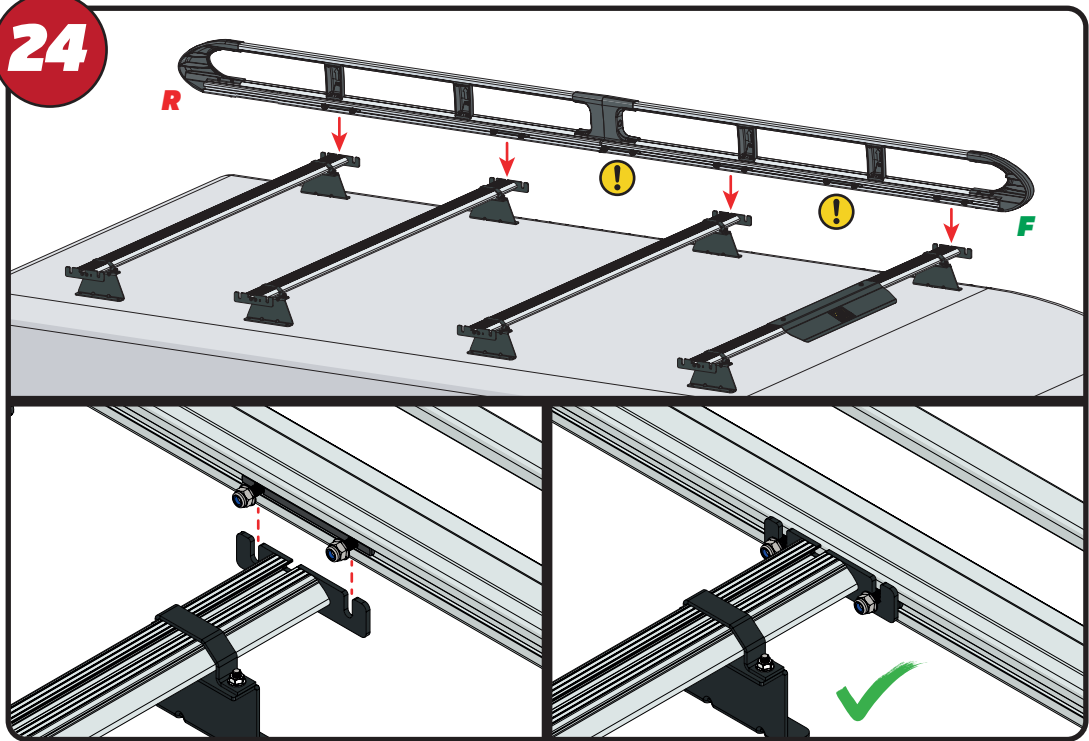


R

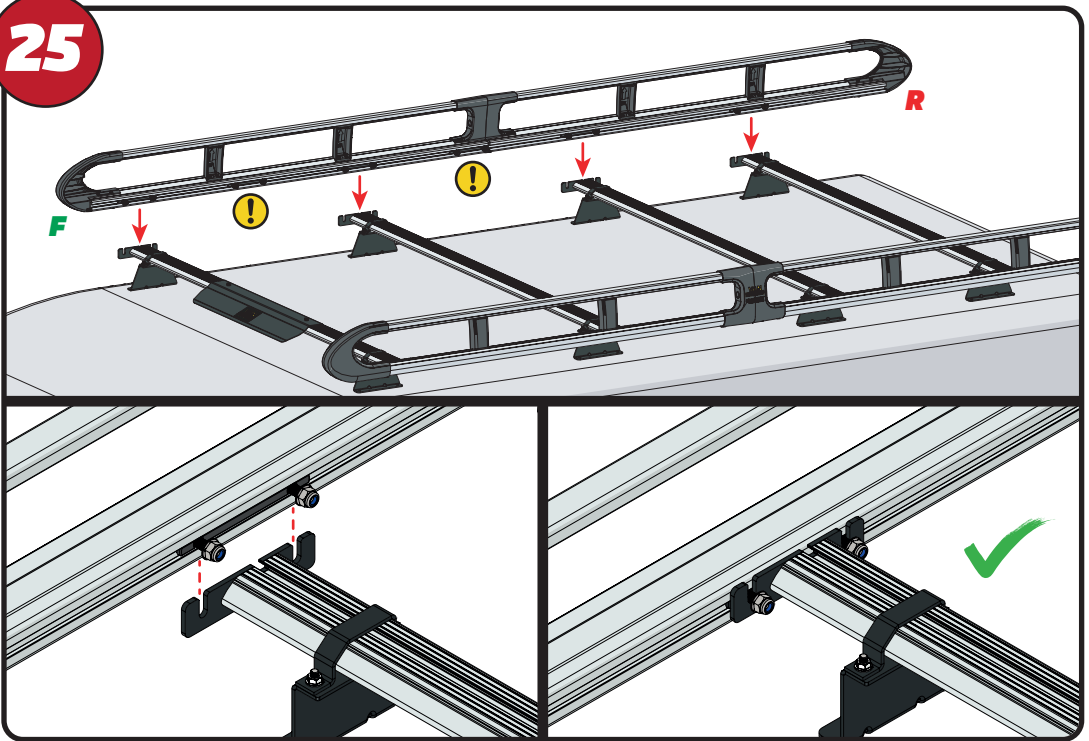
F



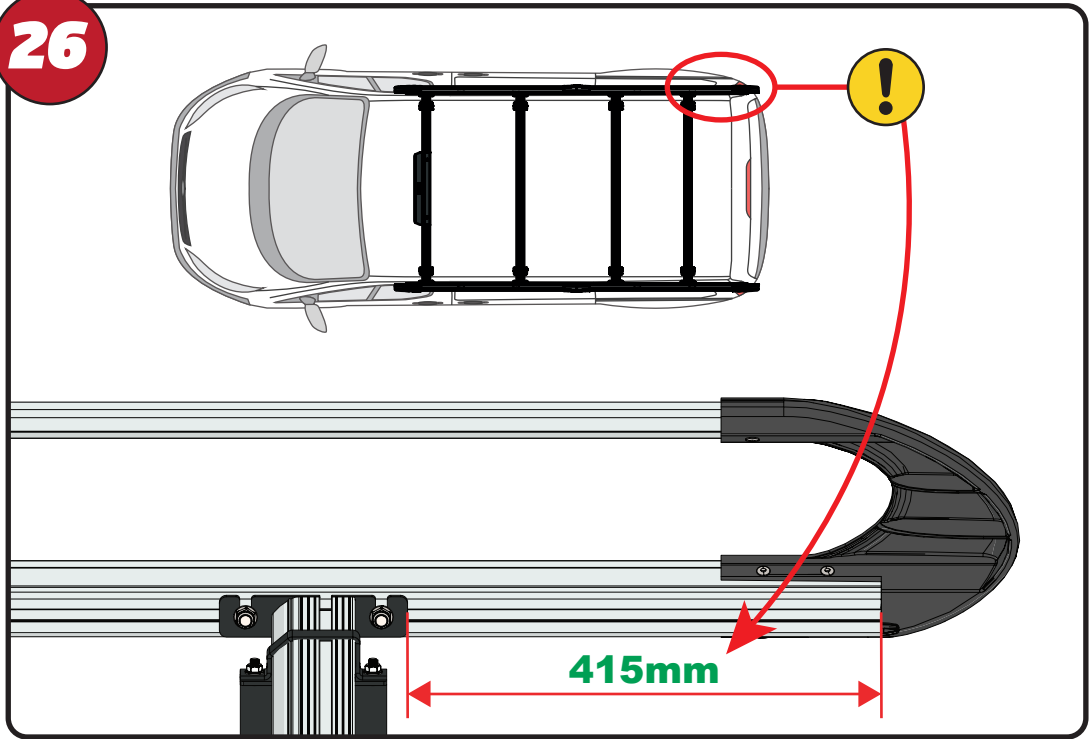
24



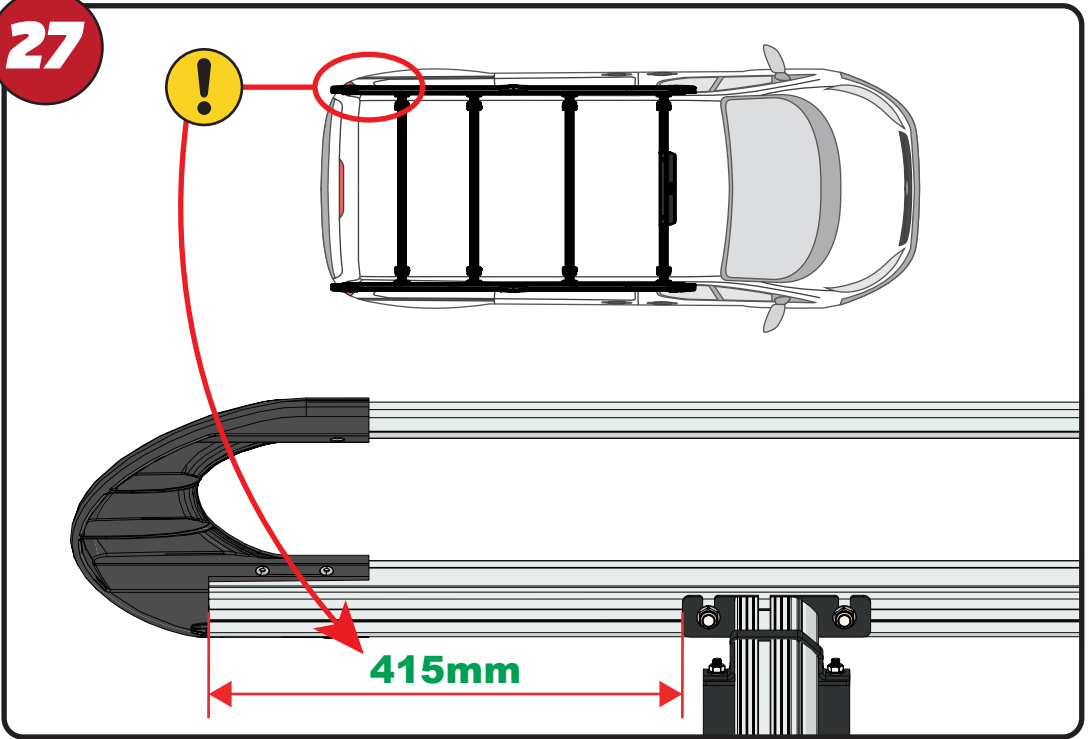
25

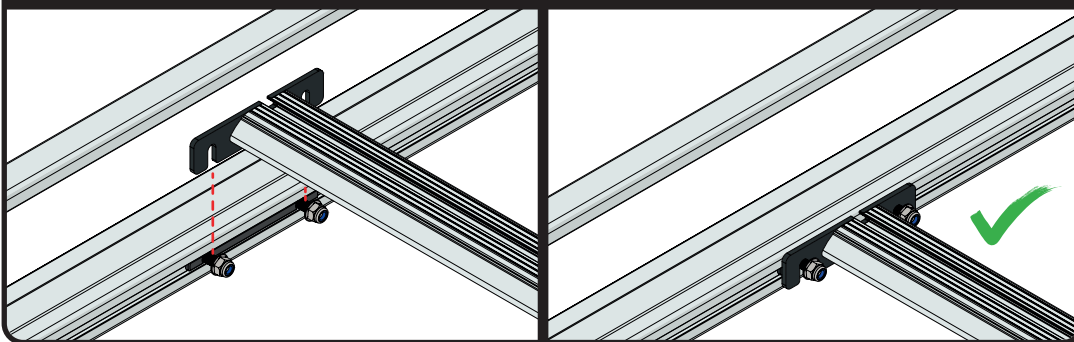
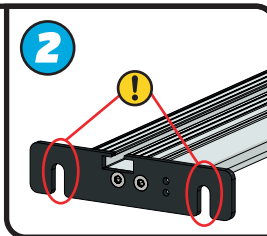
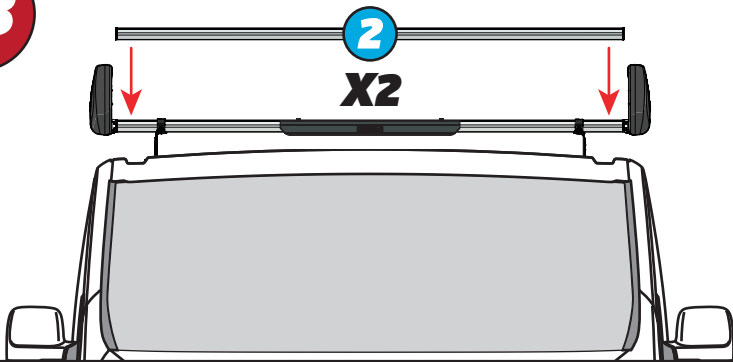


26

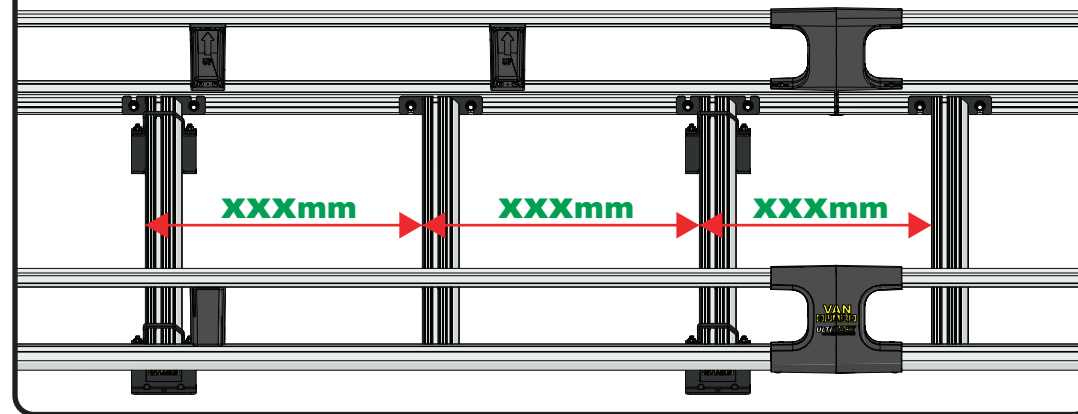
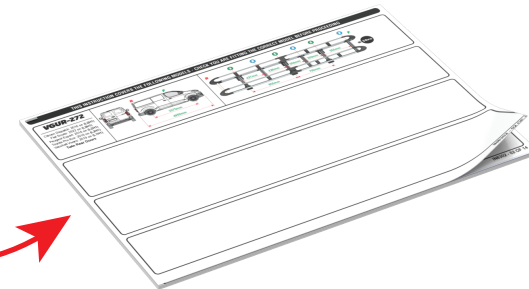
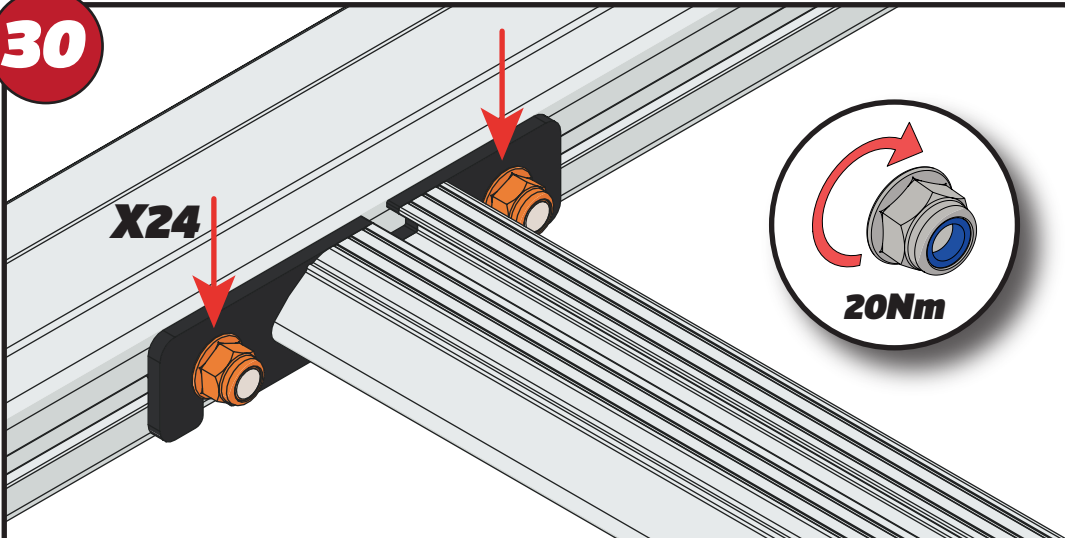


27



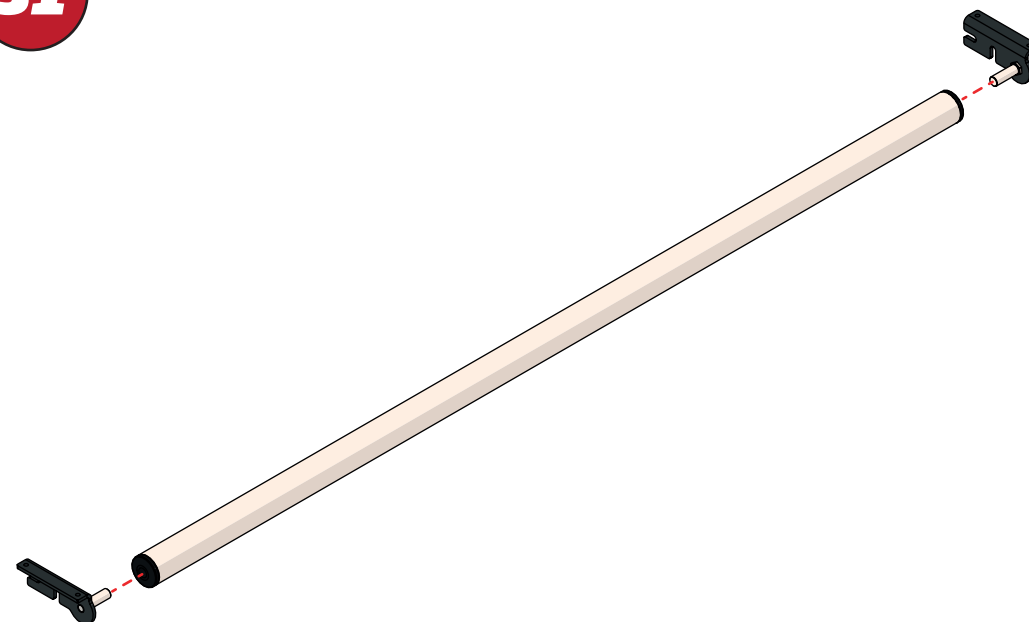
28**29**

XXX =
PAGE 2 OF 15

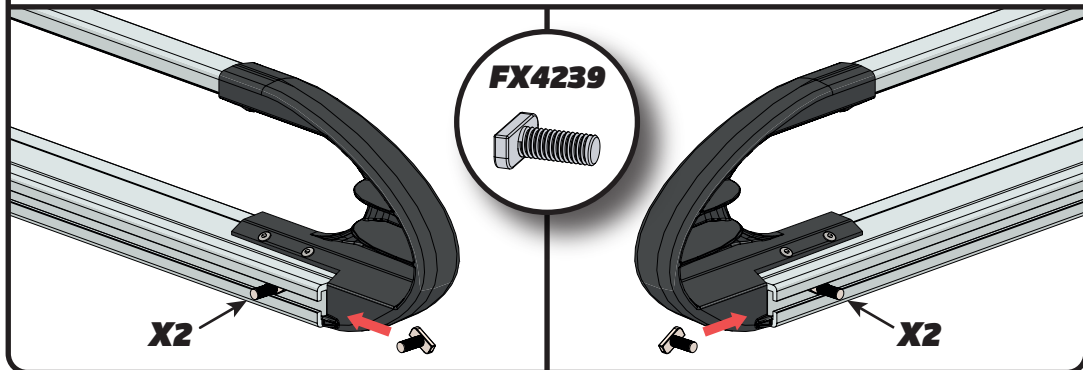
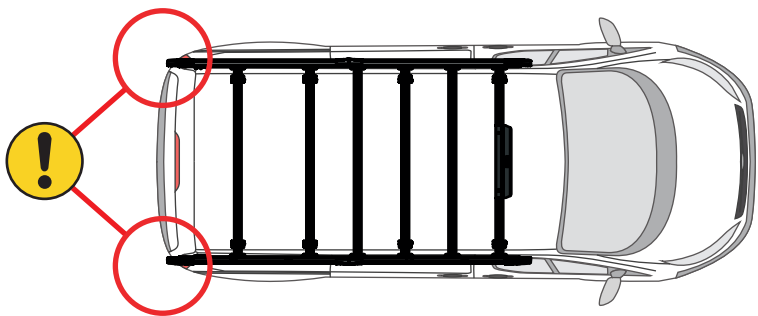
**30**

EN - TIGHTEN ALL OF THE CROSS BARS
 DE - ALLE QUERSTANGEN FESTZIEHEN
 FR - SERREZ TOUTES LES BARRES TRANSVERSALES
 NL - DRAAI ALLE DWARSBALK VAN HET DAK AAN
 ES - APRIETE TODAS LAS BARRAS TRANSVERSALES
 IT - STRINGERE TUTTE LE BARRE TRASVERSALI

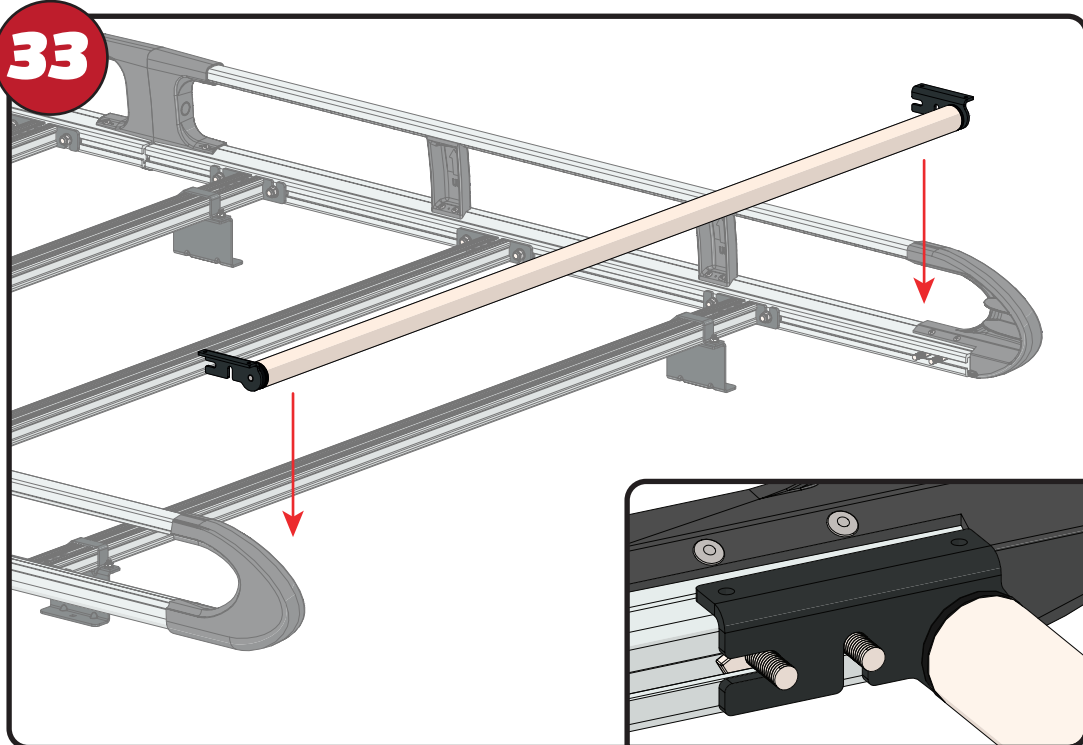
SV - SKRÙ UPP ALLA KORSSTANGAR
 DA - SKRÙ ALLE TAGBØJLER OP
 NO - SKRÙ OPP ALLE TVERRSTENGER
 PL - DOKRĘCIĆ WSZYSTKIE POPRZECZKI
 CS - VŠECHNY PŘÍČNÉ TYČE SEŠROUJTE

31

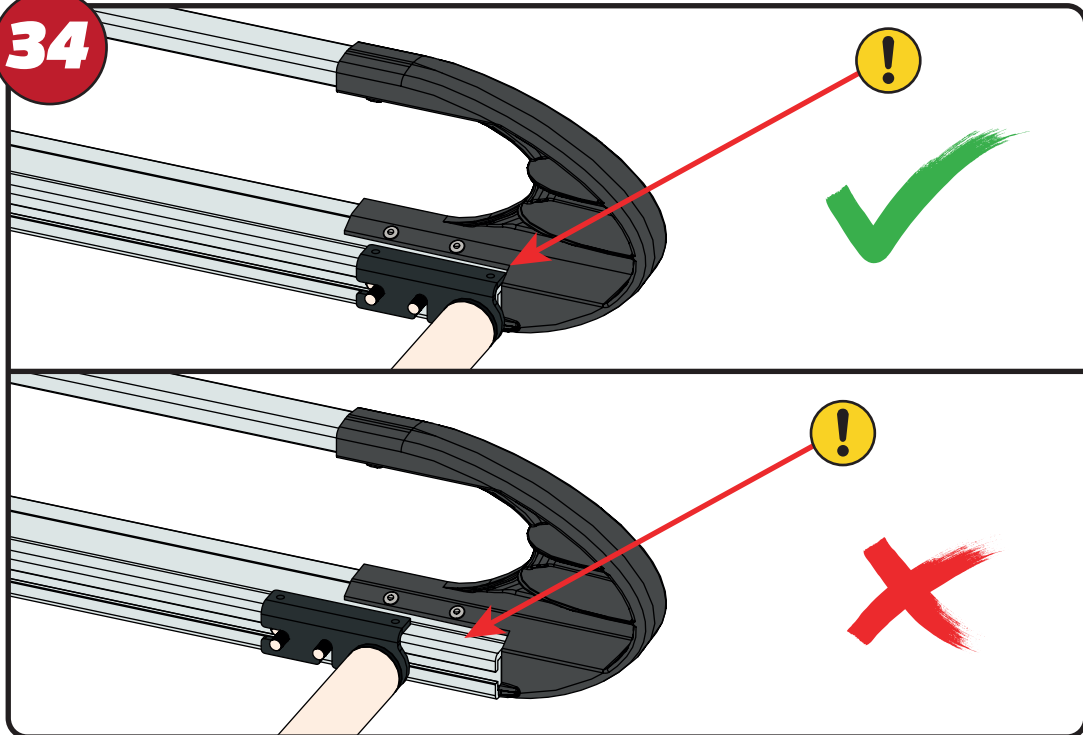
32



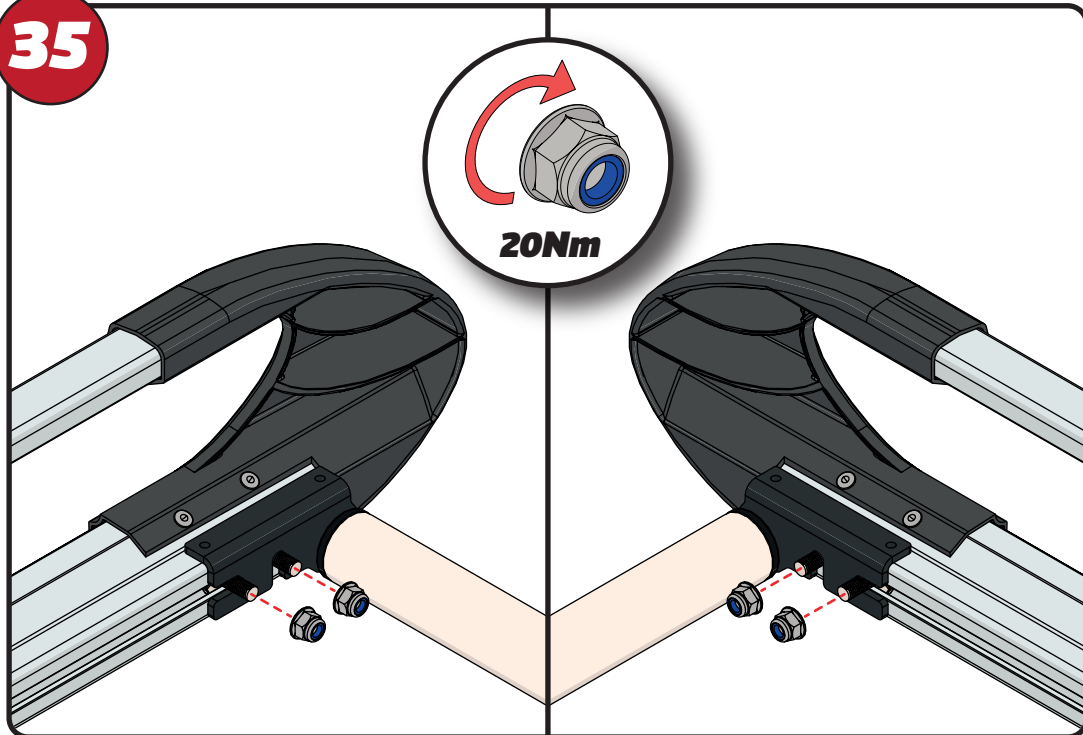
33



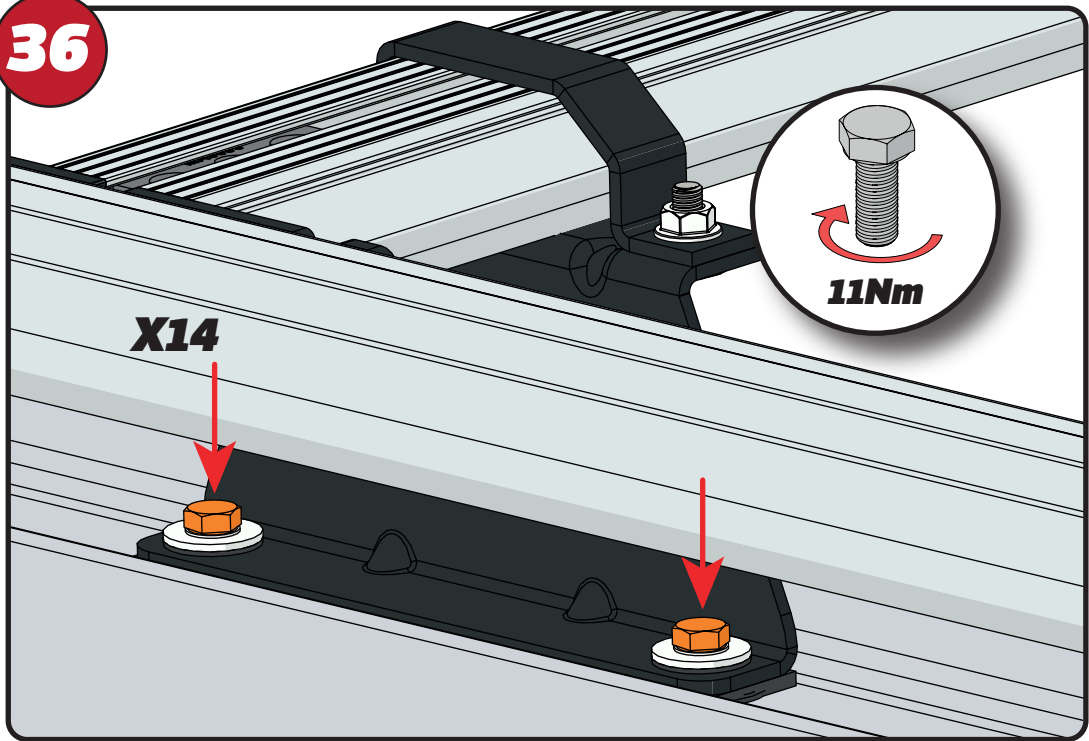
34



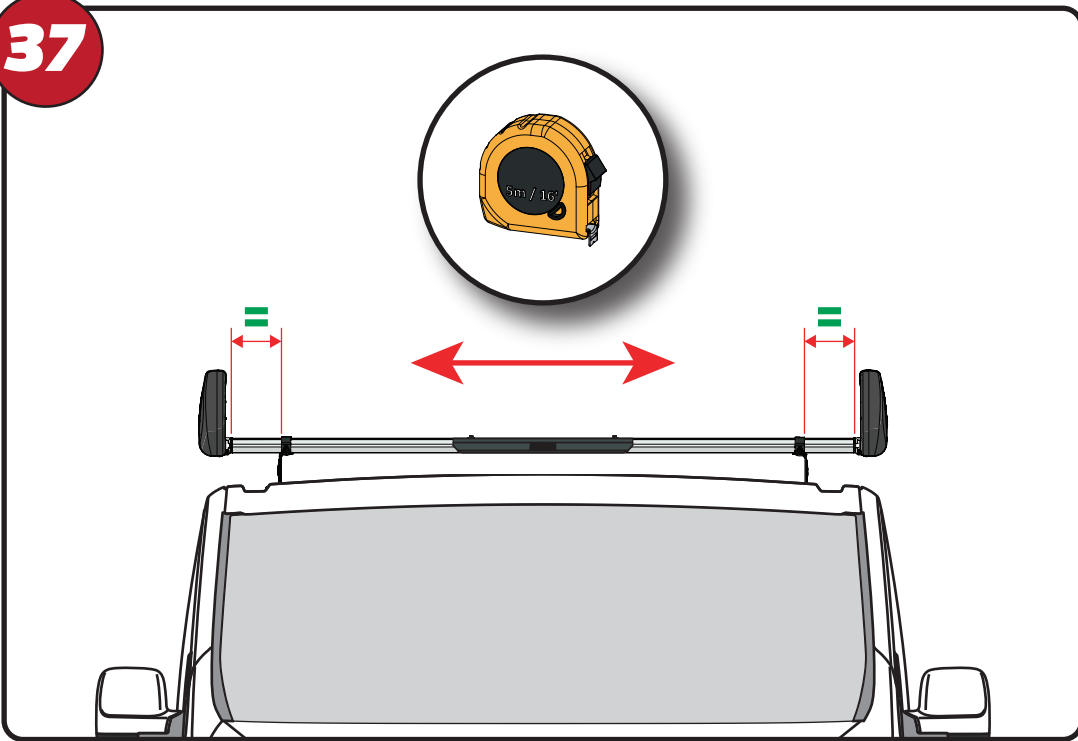
35



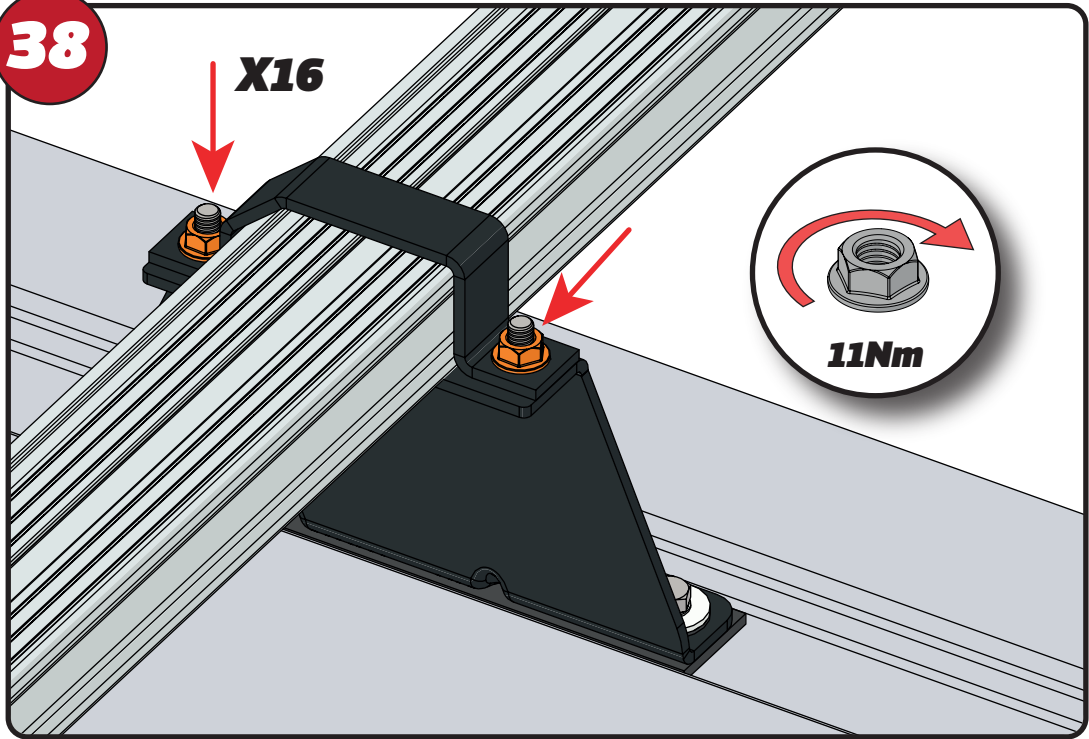
36



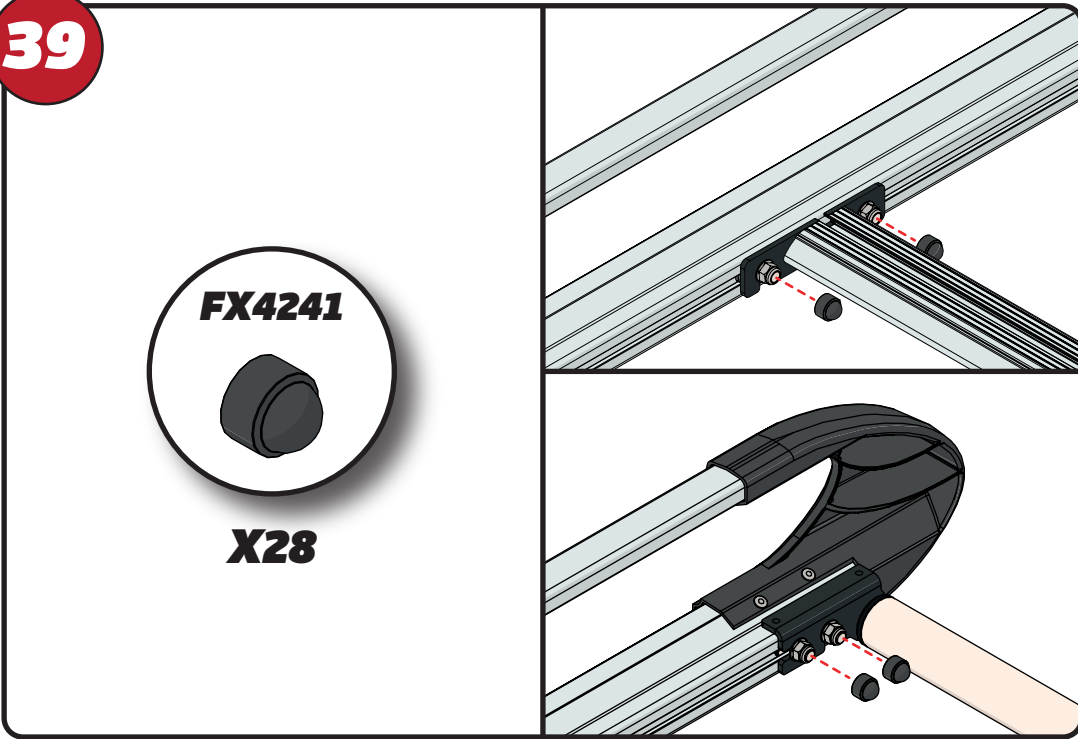
37



38



39



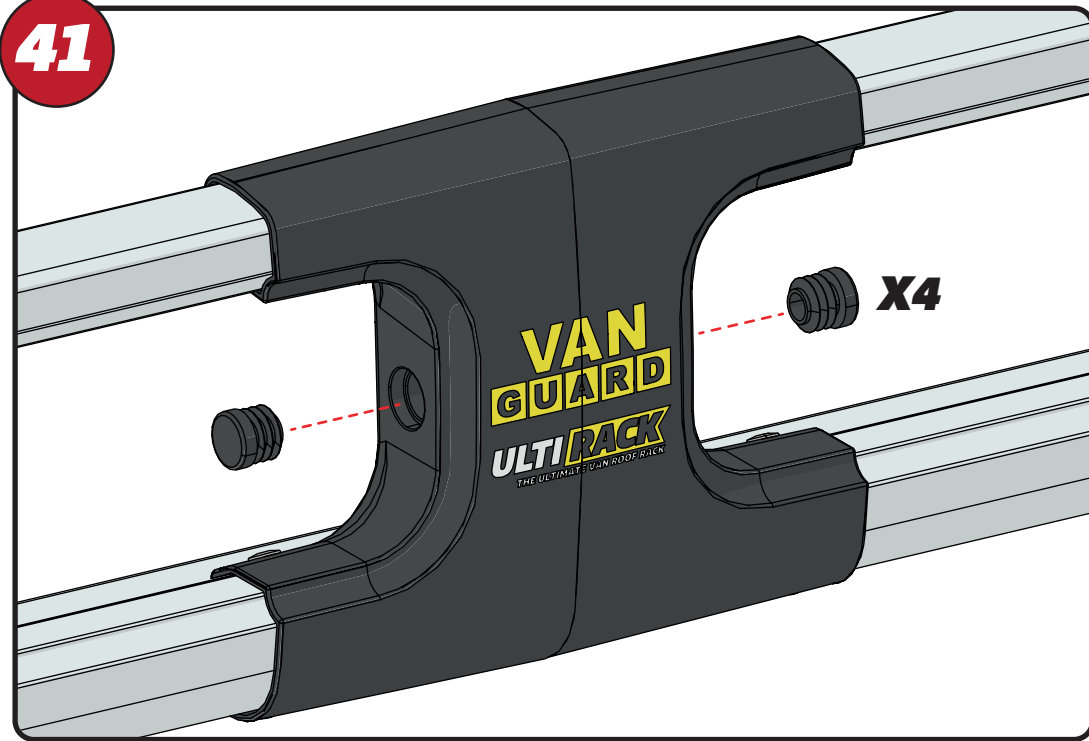
40

X8



41

X4



42

